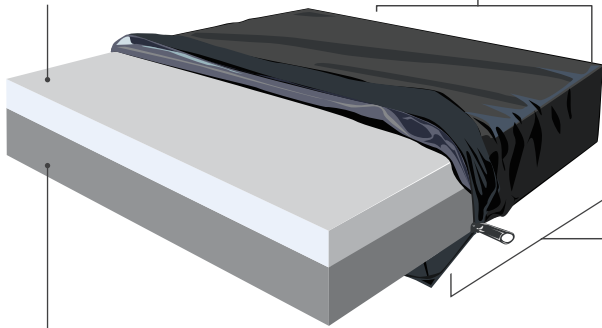


Journey™ Series – Comfort

Wheelchair Cushion



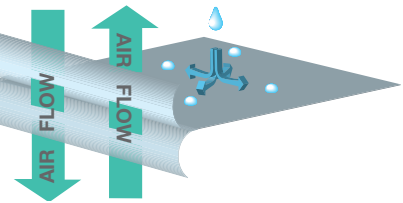
Tru-Relief™ Visco Elastic Memory Foam



High Resiliency Pressure-Redistributing Foam

4-Way Stretch Wicking Layer

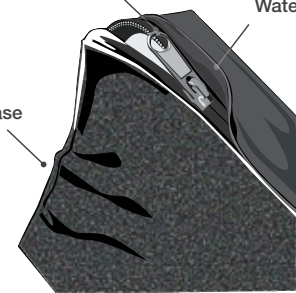
Waterproof Breathable Layer



Waterproof Zipper

Waterfall Layer

Non-Skid Base



Sitting in a “sling seat” encourages internal rotation of the hips and tends to increase pressure on the lower back and promotes contractures in hips and legs. Consider replacing the seat material or adding a solid/sling seat insert.

Product Specifications

HCPC E2601 (General Use) & E2602 (22" or greater)

Wound Risk Level:	Prevention / Low		
Wound Stage:	Up to Stage I		
Cushion Thickness / Weight Limit:	2" / 250lbs	3" / 275lbs	4" / 300lbs

Product Description

The Journey Comfort cushion offers pressure redistribution and comfort for individuals at low risk for skin breakdown. Tru-Relief™ foam conforms specifically to the individual and is designed to support both immobile individuals and active self-propellers. Convex bottom available on most common sizes to fill in slinged upholstery in existing wheelchairs. The Journey Comfort is maintenance-free.

Models and Sizes Available (WIDTH X DEPTH X HEIGHT)

Comfort 2"		Comfort 3"		Comfort 4"	
Model #	Size	Model #	Size	Model #	Size
S2 – 10 x 10	10" x 10" x 2"	S3 – 16 x 16	16" x 16" x 3"	S4 – 16 x 16	16" x 16" x 4"
S2 – 10 x 12	10" x 12" x 2"	S3 – 16 x 18	16" x 18" x 3"	S4 – 16 x 18	16" x 18" x 4"
S2 – 12 x 12	12" x 12" x 2"	S3 – 16 x 20	16" x 20" x 3"	S4 – 16 x 20	16" x 20" x 4"
S2 – 12 x 14	12" x 14" x 2"	S3 – 18 x 16	18" x 16" x 3"	S4 – 18 x 16	18" x 16" x 4"
S2 – 14 x 14	14" x 14" x 2"	S3 – 18 x 18	18" x 18" x 3"	S4 – 18 x 18	18" x 18" x 4"
S2 – 14 x 16	14" x 16" x 2"	S3 – 18 x 20	18" x 20" x 3"	S4 – 18 x 20	18" x 20" x 4"
S2 – 16 x 16	16" x 16" x 2"	S3 – 20 x 16	20" x 16" x 3"	S4 – 20 x 16	20" x 16" x 4"
S2 – 16 x 18	16" x 18" x 2"	S3 – 20 x 18	20" x 18" x 3"	S4 – 20 x 18	20" x 18" x 4"
S2 – 16 x 20	16" x 20" x 2"	S3 – 22 x 16	22" x 16" x 3"	S4 – 22 x 16	22" x 16" x 4"
S2 – 18 x 16	18" x 16" x 2"	S3 – 22 x 18	22" x 18" x 3"	S4 – 22 x 18	22" x 18" x 4"
S2 – 18 x 18	18" x 18" x 2"	S3 – 22 x 20	22" x 20" x 3"	S4 – 22 x 20	22" x 20" x 4"
S2 – 18 x 20	18" x 20" x 2"				
S2 – 20 x 16	20" x 16" x 2"	convex bottom	convex bottom		
S2 – 20 x 18	20" x 18" x 2"	SC3 – 16 x 16	16" x 16" x 3"		
S2 – 22 x 16	22" x 16" x 2"	SC3 – 18 x 16	18" x 16" x 3"		
S2 – 22 x 18	22" x 18" x 2"				
S2 – 22 x 20	22" x 20" x 2"				
convex bottom	convex bottom				
SC2 – 16 x 16	16" x 16" x 2"				
SC2 – 18 x 16	18" x 16" x 2"				

Comfort • Safety • Mobility

Toll-Free 1(866)330-5336